

NOTES:

Do not scale - Verify all dimensions before commencing work. Report any suspected discrepancies or omissions. All dimensions are in cm.

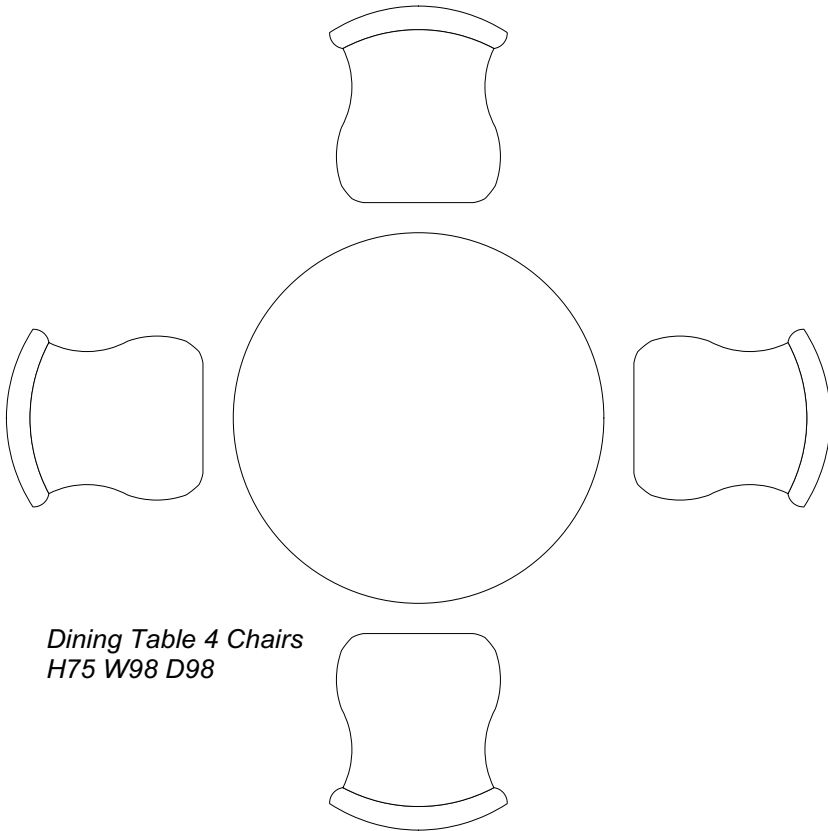
Project / Client:
Project No. 3
Name Client Name

Site Address:
Address Line 1
Address Line 2
Address Line 3

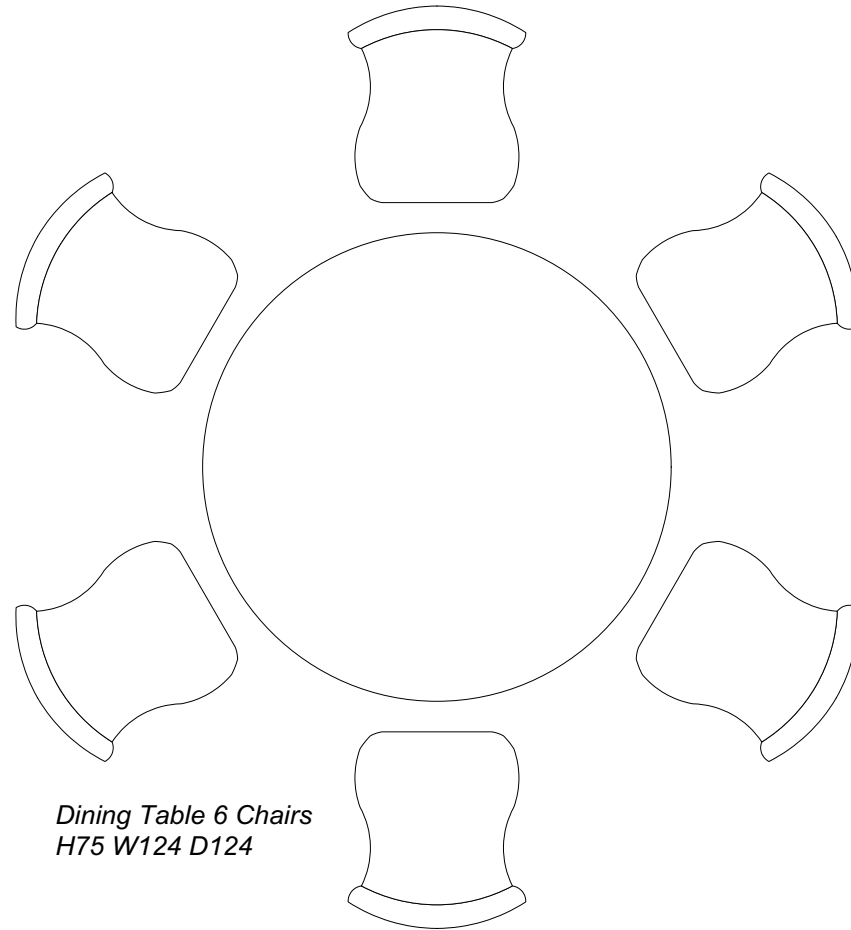
Contact No:
Client Contact Number

Drawn By: LP
Checked By:
Date: 08/04/20
Scale: 1:20 @ A4

Drawing No. / Revisions:
000 / NA



Dining Table 4 Chairs
H75 W98 D98



Dining Table 6 Chairs
H75 W124 D124

07

Dining Room Tables Round 1
Scale: 1:20